

***SYSCOM***<sup>®</sup>

Product Specification

Model No.

SYS05100DIRC

**4 Outline**



**5 Main Items**

**5.1 Optical Specifications**

	Items	Description	Tolerances	
1	Focal length	5mm (W) ~ 100mm (T)	±5%	
2	Aperture (D/f')	F1.6	±5%	
3	Image Circle	1/2.7"	φ≥6.9mm	
4	Focus range	0.3m~INF	/	
5	TV distortion	-18%	/	
6	Chief ray angle	<7°	/	
7	FOV (M.O.D)	CMOS 1/2.7"	D H V 54~4.1° 43~3° 32~2.3°	±5%

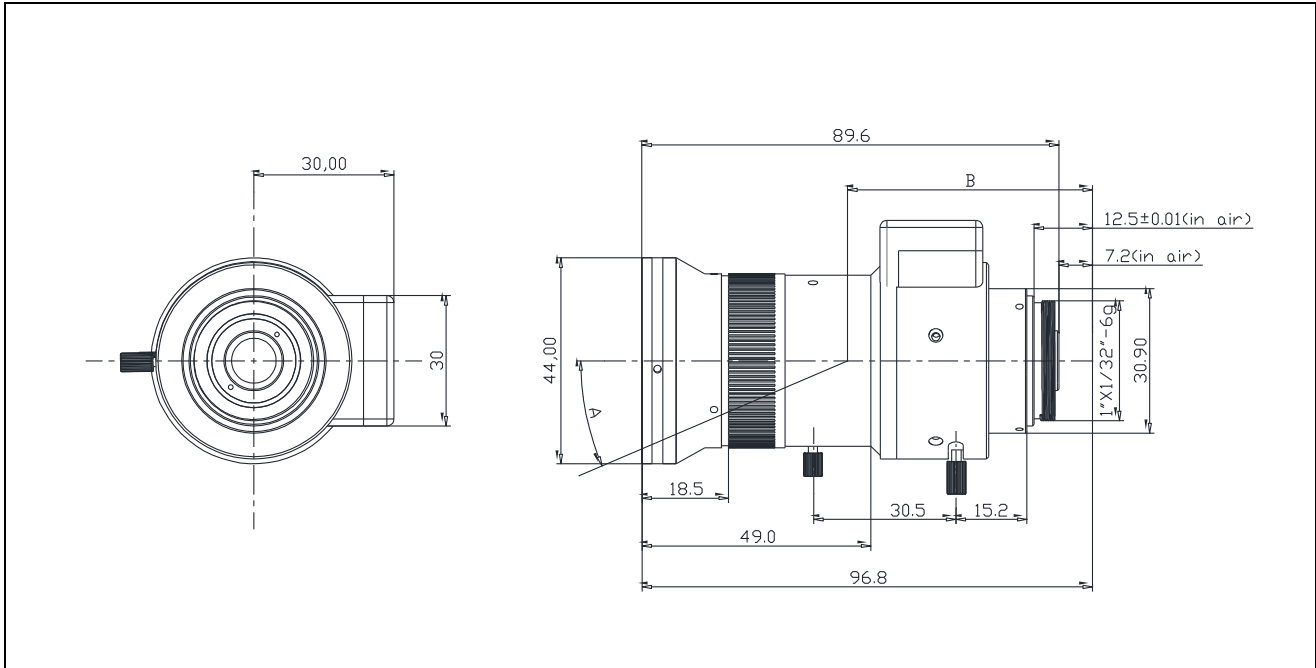
**5.2 Mechanical Specification**

	Items	Description	Tolerances	
1	Mount	CS	±0.02mm	
2	Lens structure	9groups, 12 elements	*	
3	Total track length	96.3mm (W)	±0.1	
4	Flange focal length	12.526mm	±0.1	
5	Back focal length	7.2mm	±0.1	
6	Weight	175g	±10%	
7	Operation	Zoom Focus Iris	Manual Manual DC-Auto	*

**5.3 HSF**

Rohs/Reach	Meet Rohs/Reach requirements
------------	------------------------------

**5.4 Drawing**



Tolerance(mm)		Angle ±2°	10~30 ±0.10	30-120 ±0.30	Angle ±2°
View Point (M.O.D)	Item	1/2.7"			
	A	23.14°			
	B	52.44			

**5.5 Environment Specifications**

	Items	Description
1	Working environment	-20 ~60 ; 10~90%RH
2	Storage environment	-30 ~70 ; 10~90%RH

**6 Test**

**6.1 Optical Performance**

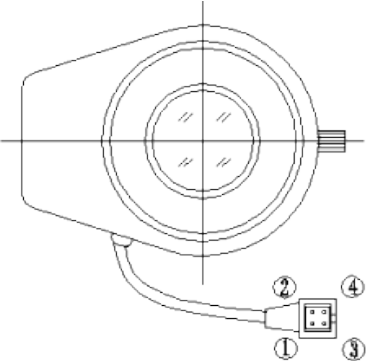
	Items	Description
1	Resolution Test (lp/mm)	Center      φ4.5      φ6      φ8 2MP      ≥160      ≥125      ≥100      /
2	Test Method	0.6m of projection distance (W) 1.5m of projection distance (T) At max aperture. Focus on center, and then check edges.

**6.2 Appearance Performance**

	Items	Description
1	Appearance	Dust standard: 60-20 Scratches: Width<60um, Length<D/2 Spot: φ<200um, 100~200um≤3
2	Test Method	Visual inspection

**7.1 DC-Iris**

**7.1.1 Connector and Cord Specification**

<b>Auto-Iris</b>			
	<b>DC Resistance</b>	Excite	190Ω±10%
		Brake	740Ω±10%
	<b>Operating Voltage</b>	C☒ O	3.5V~5V
	<b>Iris Wiring instruction</b>	①	Drive -
		②	Drive+
③		Damp+	
④		Damp	
Iris Line Length:300mm			
<b>Lens Operational Environment</b>	Storage Environment		Working Environment
	-20☒ ~+60☒ ; 10~90%RH (non-condensing)		-10☒ ~+50☒ ; 10~90%RH (non-condensing)