

NXM

HOUSING FOR INSTALLATION IN AGGRESSIVE ENVIRONMENTS

MAIN FEATURES

- Made of AISI 316L electropolished stainless steel
- IP66/IP68, submersible down to -50m (-164ft), equal to 5 BAR max pressure
- Cylindrical body enclosed by two 9mm-thick circular flanges
- 2 PG13,5 cable glands nickel-plated brass for external connections
- Available accessories: heater and double heater (for temperatures down to -40°C (-40°F), camera power supply, air barrier + air filtering group and washer pump

DESCRIPTION

The NXM housing, entirely constructed from AISI 316L electropolished stainless steel, is designed to operate in special environments such as marine, industrial, chemical and where the external conditions are highly corrosive. In order to prevent the formation of dust deposit, the housing can be equipped with a flange designed to create an air barrier in front of the glass. The air, normally drawn from a compressor, can be purified by the optional filter group. A wide range of accessories for mounting the equipment is available thereby satisfying all installation needs. The NXM housing can be installed on NXPTH Pan & Tilt head, to obtain a complete positioning system.



NXM



NXM + VIPNX + NXPTH + NXFWBT + NXWBPTH1



NXM + VIPNX

AVAILABLE MODELS

Model Number	Sunshield	Heater 120/230Vac	Heater 12Vdc/24Vac	Double heater 120/230Vac	Max consumption
NXMOD1000B	-	-	-	-	-
NXM1K1000B	✓	✓	-	-	40W
NXM2K1000B	✓	-	✓	-	20W
NXM1K1050	✓	-	-	✓	80W

TECHNICAL DATA**GENERAL**

Constructed from electropolished stainless steel (austenitic alloy stainless steel, corrosion and heat resistant according to the following standards):

AISI 316L

UNI 6900-71: X 2 Cr Ni Mo 17 12 2

DIN 17006: X 2 Cr Ni Mo 17 13 2

N° werkstoff 1.4404

AFNOR: Z2 CND 17-12

BSI: 316S11

The screws utilised are in austenitic alloy stainless steel, corrosion and heat resistant according to the following standards:

- UNI 6900: X 5 Cr Ni Mo 1712
- AISI: 316
- ISO quality: A4
- Resistance class ISO: 80

UNI: Ente Nazionale Italiano di Unificazione, AISI: American Iron and Standard Institute, DIN: Deutsche Industrie Normen, AFNOR: Association Française de Normalisation, BSI: British Standard Institution, ISO: International Organization for Standardization.

MECHANICAL

Cable glands: 2xPG13.5 (nickel-plated brass for external connections)

Flange thickness: 9mm (front/back)

External body polishing

Gaskets: High sealing O-ring

Tempered window glass: Thick: 4mm (0.15in) thick, internal Ø 97mm (3.8in); external Ø 112mm (4.4in); with air barrier internal Ø 95mm (3.7in), external Ø 116mm (4.6in)

External dimensions: Ø 154mm (6in) length 370mm

Internal usable area (WxH): 88x86mm (3.5x3.4in)

Internal usable area with double heater (WxH): 55x100mm (2.2x3.9in)

Internal usable length (without accessories):

NXM 334mm (13.1in)

Internal usable length (with heater and/or power supply): 245mm (9.6in)

Unit weight: 6kg (13.3lb)

ELECTRICAL

Heating (Ton 15°C±3°C (59°F ±5°F), Toff 22°C±3°C (77°F±5°F))

- Power supply/Consumption: IN 12Vdc/24Vac, 20W max
- Power supply/Consumption: IN 120/230Vac, 40W max, 80W max (double heater)

Camera power supply

- IN 100-240Vac - OUT 12Vdc, 50/60Hz, 1A
- IN 230Vac - OUT 24Vac, 50/60Hz, 400mA

ENVIRONMENT

Indoor/Outdoor

Submersible up to -50m (-164ft) (5 Bar pressure)

Operating temperature with heating: -20°C / +60°C (-4°F / +140°F)

Operating temperature with double heater: -40°C / +60°C (-40°F / +140°F)

CERTIFICATIONS

CE EN61000-6-3, EN60065, EN50130-4

IP66/IP68 EN60529(5 Bar for 48 hours)

ACCESSORIES

OHEH06B	Heater 120/230Vac
OHEH05B	Heater 12Vdc/24Vac
ONXPS1B	Wide range power supply for camera IN 100-240Vac - OUT 12Vdc, 1A
ONXPS2B	Camera power supply IN 230Vac - OUT 24Vac, 400mA
VIPNX1C	230Vac stainless steel wiper for NXM housing
VIPNX2C	24Vac stainless steel wiper for NXM housing
ONXAB2	Air barrier with tempered glass included for NXM and NXW housings
NXFIGRU	Filtering group for compressed air cleaning
WASOV5L5M00	Water tank 5l, pump with delivery up to 5m (16ft), IN 230Vac-24Vac-120Vac
WASOV23L5M00	Water tank 23l, pump with delivery up to 5m (16ft), IN 230Vac-24Vac-120Vac
WASOV23L11M00	Water tank 23l, pump with delivery up to 11m (36ft), IN 230Vac-24Vac-120Vac
WAS1V23L30M00	Water tank 23l, pump with delivery up to 30m (98ft) with water floating, IN 230Vac
WAS3V23L30M00	Water tank 23l, pump with delivery up to 30m (98ft) with water floating, IN 120Vac
WASPTOV5L5M00	Water tank 5l, pump with delivery up to 5m (16ft), IN 230Vac-24Vac-120Vac
WASPTOV23L5M00	Water tank 23l, pump with delivery up to 5m (16ft), IN 230Vac-24Vac-120Vac
WASPTOV23L11M00	Water tank 23l, pump with delivery up to 11m (36ft), IN 230Vac-24Vac-120Vac
WASPT1V23L30M00	Water tank 23l, pump with delivery up to 30m (98ft) with water floating, IN 230Vac
WASPT3V23L30M00	Water tank 23l, pump with delivery up to 30m (98ft) with water floating, IN 120Vac
DTWRX	Data receiver for remote control of the wiper and WASPT range pumps

BRACKETS AND ADAPTORS

NXWBS1	Stainless steel wall bracket with joint
--------	---

RELATED PRODUCTS

NXPTH	Stainless steel Pan & Tilt
-------	----------------------------

SPARE PARTS

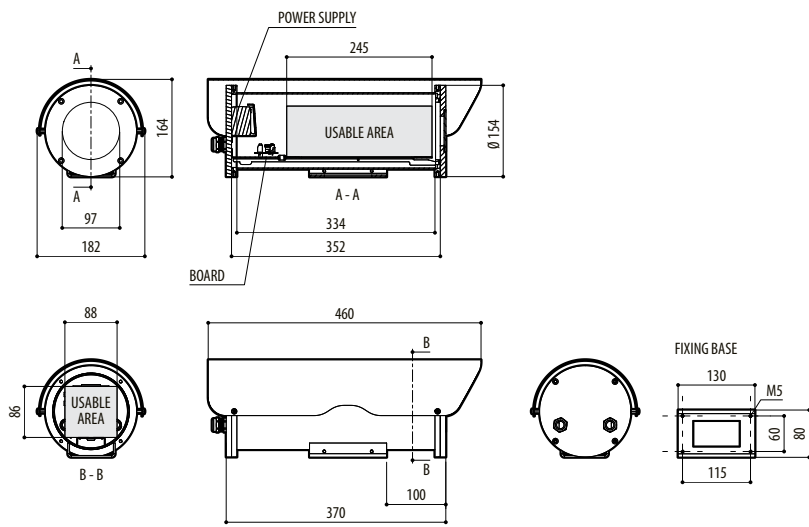
ONXMMAN	Maintenance kit for NXM
OSPAVIPNXMC	Complete blade for VIPNX wiper

PACKAGE

Model Number	Weight	Dimensions (WxHxL)	Master carton
NXMOD1000B	7.3kg (16.1in)	29.5x19.5x49cm (11.6x7.7x3.8in)	3

TECHNICAL DRAWINGS

Sizes in millimeters.



NXM

